



Volvo Construction Equipment

A45G

Volvo Articulated Haulers 41 t 476 hp



Pure uptime

Get continuous production with this bigger, durable and superior machine – always available and ready to work. Count on superb reliability thanks to the machine's robust design, easy service access and outstanding Volvo dealer network. Guarantee pure uptime.

Guaranteed durability

Increase your uptime using heavy-duty front and rear frames, hitch and wet disk brakes. Volvo proven durability and the support of extensive warranty options means you never need to worry about getting the job done. Strength and durability are hallmarks of the Volvo articulated hauler.



Fifty years strong

Fifty years and fifty tonnes later, Volvo is the world's leading manufacturer of articulated haulers. We invented the concept and have been developing and building these machines for over 50 years – it has come a long way from its original 10 tonne articulated hauler. With proven success over the years, the machines include innovative technology and the renowned Volvo engine.



Service access

With industry-leading access, servicing your machine is quick and easy. The front grill swings down, opening a service platform with anti-slip steps. The electric hood opens to 90 degrees, allowing full and safe access to the engine compartment.



Volvo dealer network

The exclusive Volvo dealer network is there to support you whenever you need it. Volvo offers a number of services, local knowledge and global experience, including telematics machine monitoring – CareTrack™ and MATRIS™ – as well as superb parts availability.





UPTIME



Get ready to work with the all new A45G . Designed for heavy hauling in severe off-road operation, the machine's long service life, quality, reliability and durability is everything you expect from a Volvo. Hauling is easier and more efficient.



FUEL EFFICIENCY GUARANTEED



The A45G powered by the world-renowned Volvo engine delivers excellent fuel efficiency without compromising on power or performance. With guaranteed fuel efficiency, this machine will increase your profitability and improve your return on investment.

World-renowned efficiency

Improve your efficiency and move more for less. Excellent fuel efficiency, innovative technology and useful operational data tools help to control your maintenance costs and maximize your investment.

Move more for less

The machine is optimized for efficiency featuring higher payload capabilities. Its smart design allows for more capacity while reducing fuel consumption so you can move more for less.



Operational data

Receive valuable data to improve onsite efficiency and save costs. With intelligent systems from Volvo such as MATRIS™, CareTrack™ and the On Board Weighing system, you will optimize your production and minimise your operational costs.



Control your maintenance costs

The range of Customer Support Agreements offer preventive maintenance, total repairs and a number of uptime services. Volvo uses the latest technology to monitor machine operation and status, giving you advice to increase your profitability. By having a Customer Support Agreement you are in control of your service costs.



Volvo dynamic drive

Dynamic and predictive gear selection adapts to operating conditions, for improved comfort and fuel efficiency.



Hit the targets

Hit your targets with the A45G. This machine features 100% off-road performance, proven Volvo technology and increased payload – contributing to sustainable operations, year after year.

Articulated hauler concept

Go where others can't. The articulated hauler concept provides total versatility so you can access the entire jobsite and climb steeper gradients. Work in all seasons, terrains and applications. With body building solutions and different chassis options you can tailor the machine to your jobsite.



The best articulated hauler

The A45G machine delivers unbeatable off-road performance in its class with features including matched Volvo drivetrain, Automatic Traction Control including 100% differential locks, all-terrain bogie, hydro-mechanical steering.



The right speed for the job

Ensure the right speed for your job using the retarders and dynamic Volvo Engine Brake to adapt your speed for maximum productivity and safety.



Load optimization

The optional On Board Weighing System guarantees the optimal load every cycle. This maximizes production, boosts fuel efficiency and reduces machine wear in all site conditions and operations.





THE BEST JUST GOT BIGGER



Bigger means better when loading more tonnes per hour, with an extra two tonne payload you can carry more in one go. The A45G articulated hauler is built to improve your cycle times and productivity.

The ultimate hauler

New dump support system

The new dump support system increases stability and control in tough environments.

OPERATOR'S CHOICE



Its comfortable cab and ease of operation, even in adverse conditions, makes operators choose this machine.

Service access

With industry-leading access, servicing your machine is quick and easy.

Fifty years strong

Fifty years and fifty tonnes later, Volvo is the world's leading manufacturer of articulated haulers.



UPTIME



Designed for heavy hauling in severe off-road operation, its long service life, quality, reliability and durability is everything you expect from a Volvo.

New gradient controls

New hill assist and dynamic Volvo Engine Brake features give you more control over your machine, whether travelling up or down steep gradients.

New econometer

The new econometer help the operator to control the machine for extra productivity.

FUEL EFFICIENCY GUARANTEED



Powered by the world-renowned Volvo engine delivers excellent fuel efficiency without compromising on power or performance.

Guaranteed durability

With body building solutions and different chassis options you can tailor the machine to your jobsite.

Volvo dynamic drive

Gear shifting adapts dynamically to operating conditions, for improved comfort and fuel efficiency.

The best articulated hauler

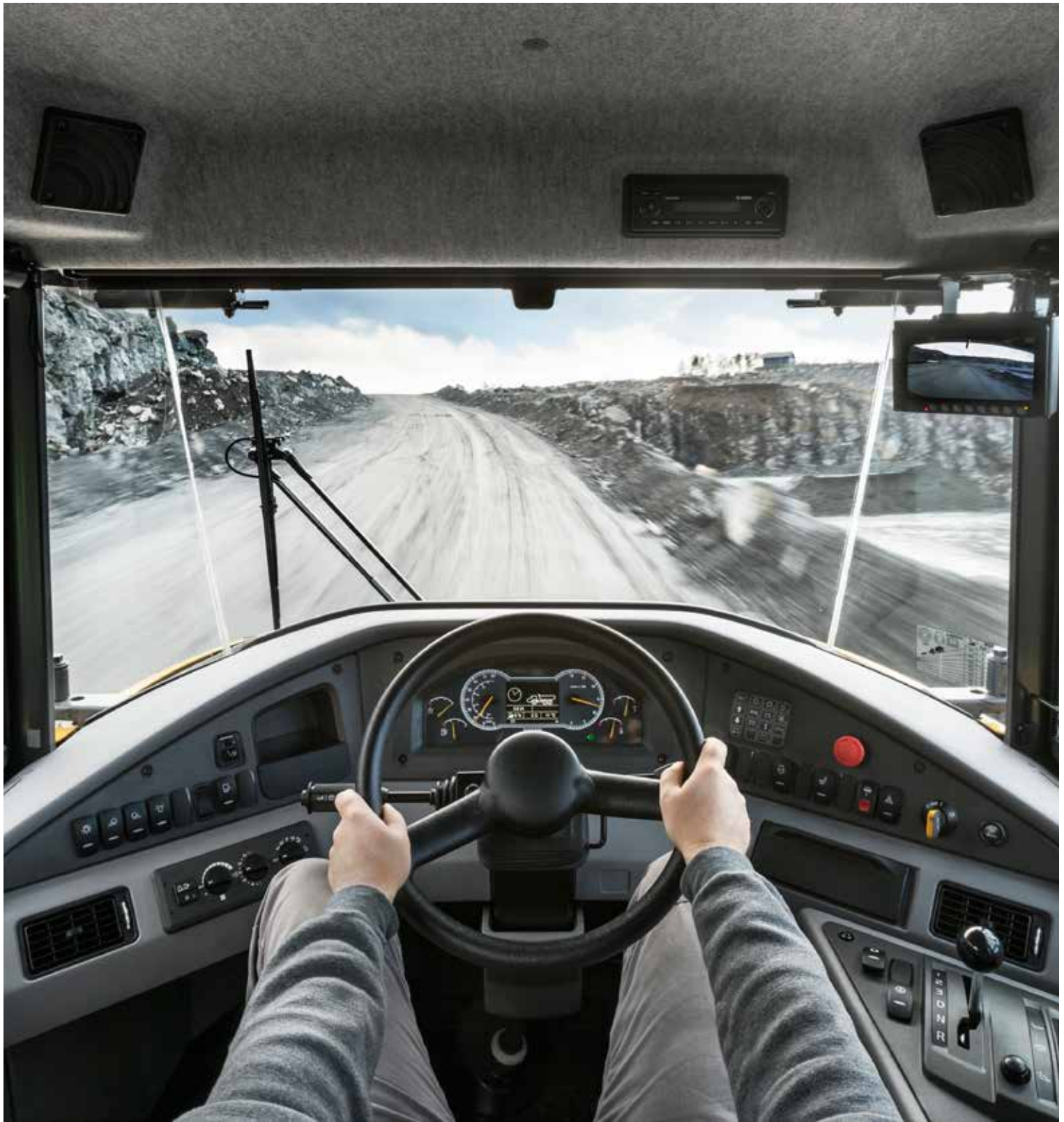
The ground-breaking A45G is the best articulated hauler on the market and the latest innovation from Volvo.

THE BEST JUST GOT BIGGER



Move more tonnes per hour and give a 100% in all conditions with an increase two tonne payload.





OPERATOR'S CHOICE



When many other machines are onsite, most operators prefer the Volvo. Its comfortable cab and ease of operation, even in adverse conditions, makes operators choose this machine.

Control in comfort

The A45G is the number one operator's choice because of its industry-leading spacious cab and comfortable work environment. Its superior comfort, control, ease of operation and safety appeals to operators, maintaining productivity all day, every day.

Total operator control

The new dump support system, hill assist, dynamic Volvo Engine Brake control and econometer as well as load and dump brake, help the operator control the machine for extra productivity and safety in all conditions.



Ease of operation

The ergonomic, comfortable controls are easy to understand and suit all operators, combined with automatic functions for increased ease of operation.



Operator comfort

Feel comfortable and spend more time in the A45G. The centrally positioned operator, superior steering, excellent suspension, low noise levels, climate control, space and visibility, reduce operator fatigue for more effective operations.



Safety

A number of safety features such as superior visibility and efficient lighting help to keep the operator and people working around the machine safe in the most demanding working environments – whether it's the operator, trainers, mechanics or site workers.



Volvo A45G in detail

Engine

V-ACT, 16 liter, 6-cylinder straight VGT (Variable Geometry Turbocharged) diesel engine with 4 valves per cylinder, overhead camshaft and electronically controlled unit injectors. It has wet replaceable cylinder liners and replaceable valve guides and valve seats.

The engine has cooled EGR (Exhaust Gas Recirculation) and exhaust after treatment with EAT-Muffler (Exhaust After treatment) including DOC (Diesel Oxidation Catalyst), DPF (Diesel Particulate Filter) and SCR (Selective Catalytic Reduction) with an electronically controlled UDS (Urea Dosing System).

T4f/Stage IV after treatment system features passive DPF regeneration with an AHI (After treatment Hydro carbon Injection) device as back up.

Engine model	Volvo	D16J
Max power - SAE J1995 Gross	kW	350
	hp	476
at engine speed	r/min	1 800
Flywheel power - ISO 9249, SAE J1349 Net	kW	347
	hp	472
at engine speed	r/min	1 800
Max torque - SAE J1995 Gross	Nm	2 525
Max torque - ISO 9249, SAE J1349 Net	Nm	2 500
at engine speed	r/min	1 050
Displacement	l	16.1

Electrical System

All cables, sockets and pins are identified. Cables are enclosed in plastic conduits and secured to main frame. Halogen lights. Prewired for options. Connectors meet IP67 standard for water-proofing as necessary.

Voltage	V	24
Battery	V	2x12
Battery capacity	Ah	2x225
Alternator	kW/A	3.396/120
Starter motor	kW	9

Drivetrain

Torque converter with built-in lock-up function.
Transmission: Fully automatic Volvo PowerTronic planetary transmission with nine forward gears and three reverse gears. The transmission has the ability to skip gears for fast and accurate gear selection.

Dropbox: Volvo-developed, in-line design with high ground clearance and 100% longitudinal "dog clutch" type differential lock.

Axles: Heavy duty, purpose built Volvo design with fully floating axle shafts, planetary type hub reductions and 100% dog clutch type diff-lock.
Automatic traction control system (ATC).

Torque converter		2.1:1
Transmission	Volvo	PT 2519
Dropbox	Volvo	IL2 ATC
Axles	Volvo	ARB H40

Brake System

Fully hydraulic, wet multiple disc brakes with enclosed, forced oil-cooled multiple discs on all wheels. Two circuit brake system. Complies with ISO 3450 at total machine weight.

Circuit division: One circuit for front axle and one for bogie axles.

Parking brake: Spring-applied disc brake acting on the trailer unit propeller shaft. When the parking brake is applied, the longitudinal differential locked.

Retarder: Service brake retarder function and Volvo Engine Brake (VEB).

Steering System

Hydro-mechanical articulated steering, self compensating design.

Two double-acting steering cylinders.

Steering angle: 3,4 steering wheel turns lock-to-lock, $\pm 45^\circ$.

Steering system, including secondary steering fulfils ISO 5010.

Chassis

Frames: box type, heavy duty. High strength steel, robot welded.

Rotating hitch: 100% maintenance free, fully sealed, with permanently greased tapered roller bearings.

Cab

Mounted on rubber pads. Ergonomically designed. Easy entry and exit. Wide angle forward view.

Operator centrally positioned above the front axle. Adjustable operators seat with retractable seat belt.

Tilt/telescopic steering wheel. Ergonomically positioned controls. Filtered air. Optional climate control system.

Operator communication system: Contronics.

Large color display, user-friendly and easy-to-understand information, all vital machine functions are constantly monitored.

Instructor seat with seat belt.

Safety: ROPS/FOPS standards approved according to ISO3471, SAE J1040 / ISO3449, SAE J231.

Sound level in cab (ISO 6396) - LpA dB(A) 72

External sound level (ISO 6395) - LwA dB(A) 112

Internal sound level with sound kit: 70 dB(A)

External sound level with sound kit: 110 dB(A)

Hydraulic system

Pumps: Four variable displacement piston pumps driven by the flywheel PTO.

Two load-sensing used for steering and tipping and two electrical controlled used for fan, brake cooling and brake power supply.

One ground-dependent piston pump for secondary steering mounted on the dropbox.

Two return oil filters with magnetic cores provide effective oil filtration.

System max working pressure MPa 26

Dumping System

Patented Load and Dump Brake.

Dumping Cylinders: two single stage double acting cylinders.

Tipping angle ° 70

Tipping time with load s 12

Lowering time s 10

Body

Plate thickness		
Front	mm	8
Sides	mm	11
Bottom	mm	14
Chute	mm	16
Material HB450 steel		
Yield strength	N/mm ²	1 150
Tensile strength	N/mm ²	1 350

Load Capacity

Standard Body		
Load capacity	kg	41 000
Body, struck	m ³	19.7
Body, heaped 2:1	m ³	25.1
With overhung tailgate		
Body, struck	m ³	20.2
Body, heaped 2:1	m ³	26.2

Specifications

REFILL CAPACITIES

Crankcase	55
Fuel tank	480
Cooling system	49
Brake cooling system	188
Transmission	43
Dropbox	9
Axles, front/bogie	26/52
Hydraulic tank	174
DEF/AdBlue®	39

®registered trademark of the Verband der Automobilindustrie e.V. (VDA)

OPERATING WEIGHT UNLOADED

Tires		29.5R25*
Front	kg	16 400
Rear	kg	13 700
Total	kg	30 100
Payload	kg	41 000

Operating weight includes all fluids and operator

*) A45G with tires 875/65R29, add 300 kg /axle

TOTAL WEIGHT

Tires		29.5R25*
Front	kg	20 600
Rear	kg	50 500
Total	kg	71 100

*) A45G with tires 875/65R29, add 300 kg /axle

GROUND PRESSURE

Tires		29.5R25	875/65R29
Unloaded			
Front	kPa	113	99
Rear	kPa	47	42
Loaded			
Front	kPa	142	124
Rear	kPa	174	151

SPEED

Forward			
1	km/h		5.8
2	km/h		8.5
3	km/h		10.4
4	km/h		15
5	km/h		21.6
6	km/h		27.3
7	km/h		36.1
8	km/h		47.8
9	km/h		57
Reverse			
1	km/h		6.5
2	km/h		9.4
3	km/h		18

Wheel loader PASS MATCHING

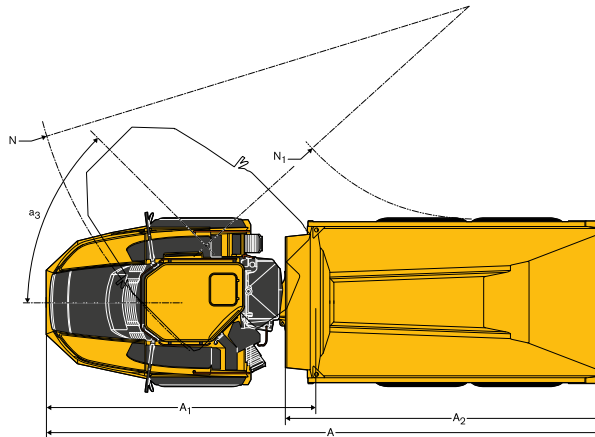
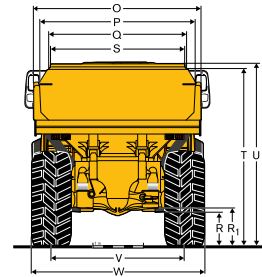
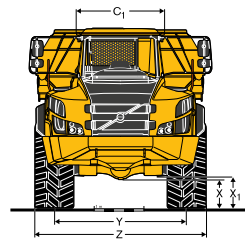
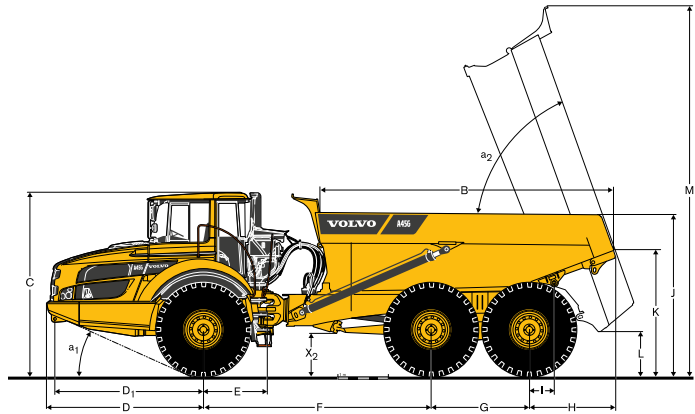
	L220	L250	L350
	Number of passes		
A45G	4	4	3

Well matched, 2-3 buckets.
Loader under capacity, 4 buckets or more.
Loader undersized for optimum match, reach might be an issue.

Excavator PASS MATCHING

	EC480	EC750
	Number of passes	
A45G	8	5

Well matched, 4-6 buckets.
Excavator under capacity, 7 buckets or more.
Excavator undersized for optimum match.



DIMENSIONS

Pos	Unit	A45G
A	mm	11 263
A1	mm	5 476
A2	mm	6 404
B	mm	5 844
C	mm	3 599
C1	mm	1 772
D	mm	3 100
D1	mm	2 942
E	mm	1 277
F	mm	4 518
G	mm	1 940
H	mm	1 706
I	mm	495
J	mm	3 200
K	mm	2 435
L	mm	822
M	mm	7 265
N	mm	8 957
N1	mm	4 327
O	mm	3 430
P	mm	3 118
Q	mm	2 820

DIMENSIONS

Pos	Unit	A45G
R	mm	613
R1	mm	701
S	mm	2 651
T	mm	3 427
U	mm	3 546
V	mm	2 636
W	mm	3 403
X	mm	553
X1	mm	645
X2	mm	788
Y	mm	2 636
Z	mm	3 403
a1	°	24.3
a2	°	70
a3	°	45

A45G: Unloaded machine with 29.5R29 tires.

Equipment

STANDARD EQUIPMENT

Safety

Anti-slip steps and platforms
 Dump body lock
 Handrails on steps and platforms
 Hazard lights
 Horn
 Protective grill for cab rear window
 Rear-view mirrors
 Retractable 3-inch safety belt
 ROPS/ FOPS protected Care Cab
 Secondary steering
 Steering joint lock
 Windshield washers
 Windshield wipers with interval function
 Dump support system

Drivetrain

6x4 and 6x6 automatically engaged drive modes
 Dog clutch type 100% diff-locks in all axles
 Full automatic transmission
 Two stage dropbox with longitudinal diff-lock
 Torque converter with automatic lock-up

Engine

Direct injected, electronically controlled, turbocharged, intercooled
 Grouped oil filters, for ease of change
 Preheater for easier cold starts
 VEB (exhaust retarder EPG + compression brake)

Electrical system

80 A alternator
 Battery disconnect switch
 Extra 24 V socket for lunch cooler
 Lights:
 Back-up light
 Brake lights
 Cab lighting
 Direction indicators
 Headlights
 Instrument lighting
 Parking lights
 Rear lights

Brake system

Hill assist
 Load & Dump Brake
 Retarder pedal
 Parking brake on propeller shaft
 Two circuit, fully hydraulic, wet discs on all axles

Comfort

ACC control panel
 Ashtray
 Cab heater with filtered fresh air and defroster
 Can holder /storage tray
 Cigarette lighter
 Instructor seat with seat belt
 Overhead console for radio
 Sliding window
 Space for lunch cooler
 Storage box
 Sun visor
 Tilt/telescopic steering wheel
 Tinted glass

STANDARD EQUIPMENT

Operator information interface

Gauges:
 Brake pressure
 Fuel
 Speedometer
 Tachometer
 Wet disc brakes cooling oil temperature

Warning lights grouped and easy to read

Central warning (3 levels) for all vital functions

Central positioned information display:

Automatic pre-start checks
 Clock
 Hour meter
 Operational information, easy-to-navigate menu
 Troubleshooting diagnostics

Body

Body prepared for exhaust heating and optional equipment

Exterior

Front mudguard wideners and rear mudflaps

Tires

29.5R25

Service and maintenance

Electrical engine hood and belly plate
 Machine Tracking Information System MATRIS
 Service platform integrated in the front grill
 Tool box

OPTIONAL EQUIPMENT

Safety

Fire suppression system
 Warning triangle
 First aid kit and fire extinguisher
 Fire extinguisher
 Wheel chocks

Engine

Air filter, heavy duty, EON
 Engine heater, 120 V, USA
 Engine heater, 240 V
 Engine heater, diesel (Eberspächer)
 Engine auto shutdown
 Engine shutdown timer
 External emergency engine stop
 Fuel filter, extra
 High engine idle speed

Electrical system

Headlights, LED
 Warning beacon, LED
 Working lights, halogen
 Working lights, LED
 Entrance light
 Anti-theft system (pin code)
 Rear view camera
 Reverse alarm
 CAN-BUS interface, extra

OPTIONAL EQUIPMENT

Cab

Noise reduction kit (fulfils 2000/14/EC)
Anchorage, operator's manual
Cab heating/ventilation timer
Cable kit, for cab heater 240 V
HEPA cab air filter
Bluetooth radio kit
Rear view mirrors, adjustable, el.heated
Seat belt XXL, non-retractable
Sun blinds, side windows
Universal key
Air suspended, heated, fully adjustable seat
Armrest for operator seat
Headrest for operator seat
Low profile cab

Body

Body exhaust heating
Front spillguard, extra
Side extension, 200 mm
Side extension, light material
Tailgate, overhung, linkage-operated
Tailgate, overhung, wire-operated
Tailgate, underhung
Wear plates, 450 HB
Underground body

Tires

875/65R29

OPTIONAL EQUIPMENT

Service and maintenance

Lube system, standard machine
Lube system, tailgate
Lubrication hose, ground level greasing
Tool kit

Other

Siberian kit -40°C
On board weighing (OBW)
Arctic oil kit
CareTrack
Fast fuelling system
Jump start connector, NATO -type
Frame extension

SELECTION OF VOLVO OPTIONAL EQUIPMENT

Volvo fire suppression system**Fast fuelling****Heavy duty air filter****On board weighing****LED lighting****Entrance light**

Not all products are available in all markets. Under our policy of continuous improvement, we reserve the right to change specifications and design without prior notice. The illustrations do not necessarily show the standard version of the machine.

VOLVO

Volvo Construction Equipment

www.volvoce.com